



**System No. C-AJ-2710
XHEZ.C-AJ-2710
Through-penetration Firestop Systems**

Page Bottom

Design/System/Construction/Assembly Usage Disclaimer

- Authorities Having Jurisdiction should be consulted in all cases as to the particular requirements covering the installation and use of UL Certified products, equipment, system, devices, and materials.
 - Authorities Having Jurisdiction should be consulted before construction.
 - Fire resistance assemblies and products are developed by the design submitter and have been investigated by UL for compliance with applicable requirements. The published information cannot always address every construction nuance encountered in the field.
 - When field issues arise, it is recommended the first contact for assistance be the technical service staff provided by the product manufacturer noted for the design. Users of fire resistance assemblies are advised to consult the general Guide Information for each product category and each group of assemblies. The Guide Information includes specifics concerning alternate materials and alternate methods of construction.
 - Only products which bear UL's Mark are considered Certified.
-

XHEZ - Through-penetration Firestop Systems

See General Information for Through-penetration Firestop Systems

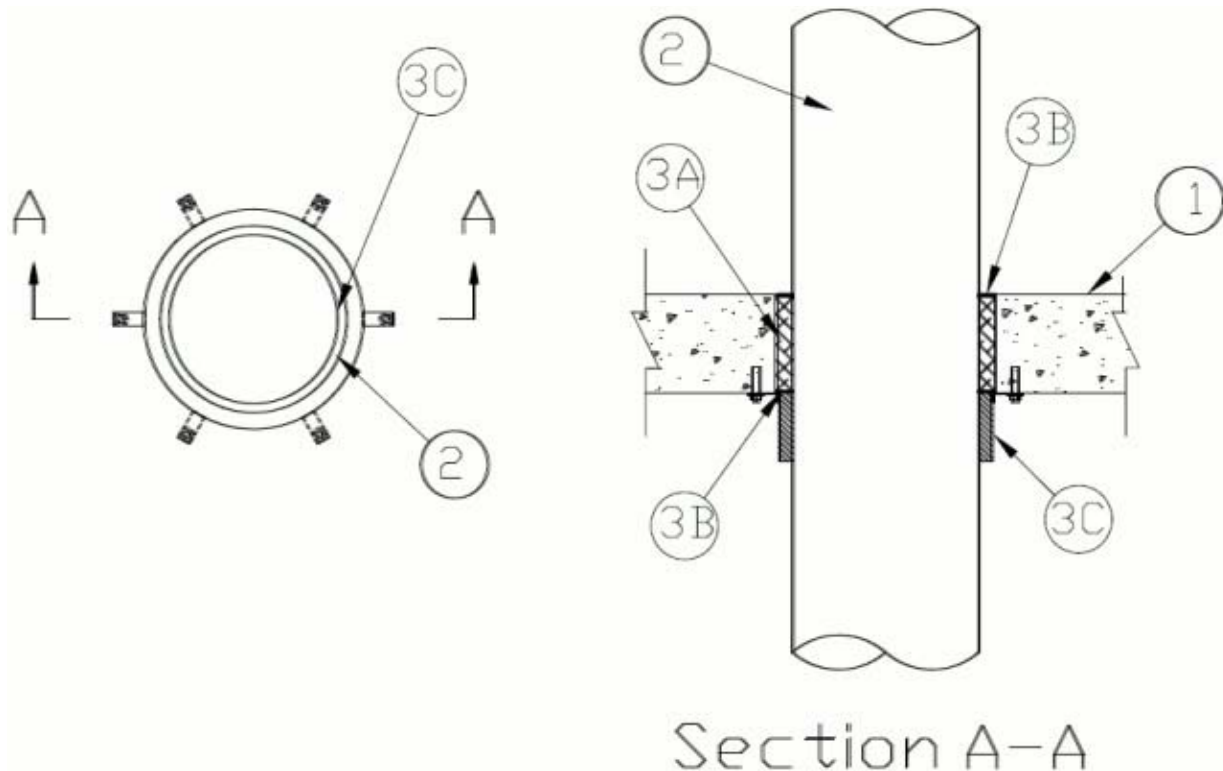
System No. C-AJ-2710

October 22, 2015

F Rating - 3 Hr

T Rating - 2 Hr

L Rating At Ambient - Less Than 1 CFM/sq ft



1. **Floor or Wall Assembly** — Min 114 mm (4-1/2 in.) thick reinforced lightweight or normal weight (1600-2400 kg/m³ or 100-150 pcf) concrete. Wall may also be constructed of any UL Classified **Concrete Blocks***. Max diam of opening is 254 mm (10 in.).

See **Concrete Blocks** (CAZT) in the Fire Resistance Directory for names of manufacturers.

2. **Through Penetrant** — One nonmetallic pipe to be installed concentrically within the firestop system. The annular space between the penetrant and the periphery of the opening shall be a nom 19 mm (3/4 in.). Pipe to be rigidly supported on both sides of floor or wall assembly. The following types and sizes of nonmetallic pipes may be used:

A. **Polyvinyl Chloride (PVC) Pipe** — Nom 203 mm (8 in.) diam (or smaller) Schedule 40 solid core PVC pipe for use in closed (process or supply) piping systems.

B. **Chlorinated Polyvinyl Chloride (CPVC) Pipe** — Nom 203 mm (8 in.) diam (or smaller) SDR17 CPVC pipe for use in closed (process or supply) piping systems.

3. **Firestop System** — The firestop system shall consist of the following:

A. **Packing Material** — Min 108 mm (4-1/4 in.) thickness of min 64 kg/m³ (4 pcf) mineral wool batt insulation firmly packed into opening as a permanent form. Packing material to be recessed from both surfaces of floor or wall to accommodate the required thickness of fill material.

B. **Fill, Void or Cavity Material* — Sealant** — A min 3.2 mm (1/8 in.) of fill material applied in annular space between the outer layer of wrap strip and the periphery of the opening on both sides of the floor or wall.

INTERNATIONAL CARBIDE TECHNOLOGY CO LTD — INCA Fire Barrier Caulk INSS1440

INTERNATIONAL FIREPROOF TECHNOLOGY INC — Fire Barrier Caulk INSS1440

C. **Firestop Device*** — Stainless steel collar with wrap strip. See Table below for min width and number of layers of wrap strip. Collar to be tightly wrapped around pipe and secured with two No. 8 by 3 mm (1/8 in.) self-tapping steel screws and one 13 mm (1/2 in.) wide stainless steel hose clamp at mid-height. Collar to be butted to bottom surface of floor or both surfaces of wall and secured to firestop sheet with a min six No. 8 by 25 mm (1 in.) self-tapping screws.

INTERNATIONAL CARBIDE TECHNOLOGY CO LTD — INCA Firestop Collar SSCI-X

INTERNATIONAL FIREPROOF TECHNOLOGY INC — INCA Firestop Collar SSCI-X

Nom Diam of Nonmetallic Penetrant, mm (in.)	Width of Wrap Strip, mm (in.)	Number of Layers of Wrap Strip
76 (3)	60 (2-3/8)	2
102 (4)	60 (2-3/8)	2
127 (5)	60 (2-3/8)	3
152 (6)	60 (2-3/8)	3
203 (8)	80 (3-1/8)	3

*** Indicates such products shall bear the UL or cUL Certification Mark for jurisdictions employing the UL or cUL Certification (such as Canada), respectively.**

Last Updated on 2015-10-22

[Questions?](#)

[Print this page](#)

[Terms of Use](#)

[Page Top](#)

© 2015 UL LLC

The appearance of a company's name or product in this database does not in itself assure that products so identified have been manufactured under UL's Follow-Up Service. Only those products bearing the UL Mark should be considered to be Certified and covered under UL's Follow-Up Service. Always look for the Mark on the product.

UL permits the reproduction of the material contained in the Online Certification Directory subject to the following conditions: 1. The Guide Information, Assemblies, Constructions, Designs, Systems, and/or Certifications (files) must be presented in their entirety and in a non-misleading manner, without any manipulation of the data (or drawings). 2. The statement "Reprinted from the Online Certifications Directory with permission from UL" must appear adjacent to the extracted material. In addition, the reprinted material must include a copyright notice in the following format: "© 2015 UL LLC".